



VENTURA LIGHTING LIMITED
Subsidiary of
VENTURA LIGHTING AND INFRA TECH LIMITED

Lighting The Way To A Better Future...



SINGLE PIECE DEEP DRAWN AL. INTEGRAL STREET LIGHT LUMINAIRE

APPLICATIONS

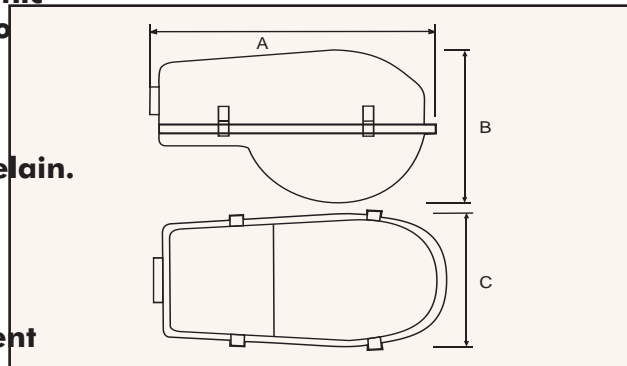
- Secondary roads
- Industrial areas
- Residential areas
- Car parks
- Highways
- Roundabouts
- Road junction
- Security lighting

CONSTRUCTION

- Single piece deep drawn aluminium housing, long lasting felt gasket, acrylic bowl fitted with copper wound ballast, PF correction capacitor and electronic ignitor (for SV/MH version only) are prewired upto terminal block.
- Epoxy powder coated painting.
- Stainless steel toggles.
- Lamp holder base GES (E-27 & E-40) skirted porcelain.
- Earthing terminal.

REFLECTOR

- Electrochemically brightened and high purity anodised aluminium Side reflectors provide efficient light distribution.



Street Lighting S-3

| ELECTRICAL DATA & DIMENSIONS | | | | | | | | | IP-54 |
|------------------------------|------|-----|---------|------------------------------|-------------------|-----------------|-----|-----|----------------|
| Cat. Ref. | Lamp | | | Nominal or Rated Voltage (V) | Mains current (A) | Dimensions (mm) | | | App. Wt. (Kgs) |
| | Type | No. | Wattage | | | A | B | C | |
| VLMS-S-01-250 | HPMV | 1 | 250 | 220/240 | 1.35 | 575 | 330 | 295 | 5.5 |
| VLSS-S-01-70 | HPSV | 1 | 70 | 220/240 | 0.45 | 460 | 260 | 255 | 3.3 |
| VLSS-S-01-150 | HPSV | 1 | 150 | 220/240 | 0.85 | 575 | 330 | 295 | 5.6 |
| VLSS-S-01-250 | HPSV | 1 | 250 | 220/240 | 1.40 | 575 | 330 | 295 | 6.5 |
| VLMHS-S-01-70 | MH | 1 | 70 | 220/240 | 0.45 | 460 | 260 | 255 | 3.3 |
| VLMHS-S-01-150(E-27) | MH | 1 | 150 | 220/240 | 0.85 | 460 | 260 | 255 | 4.3 |
| VLMHS-S-01-150 | MH | 1 | 150 | 220/240 | 0.85 | 575 | 330 | 295 | 5.6 |
| VLMHS-S-01-250 | MH | 1 | 250 | 220/240 | 1.38 | 575 | 330 | 295 | 6.5 |

Data subject to change due to improvement in design

Sales Office :- C-33, East of Kailash, New Delhi-110065, Tel.: 011-26842693 Fax : 91-11-26842693

Photometric Centre:- 142 A/1, NSEZ, NOIDA

Works :- 136, Industrial Area, Malanpur, (Ghirongi) Distt. Bhand, (MP)

Email: venturalighting@gmail.com

www.venturalighting.com

VENTURA