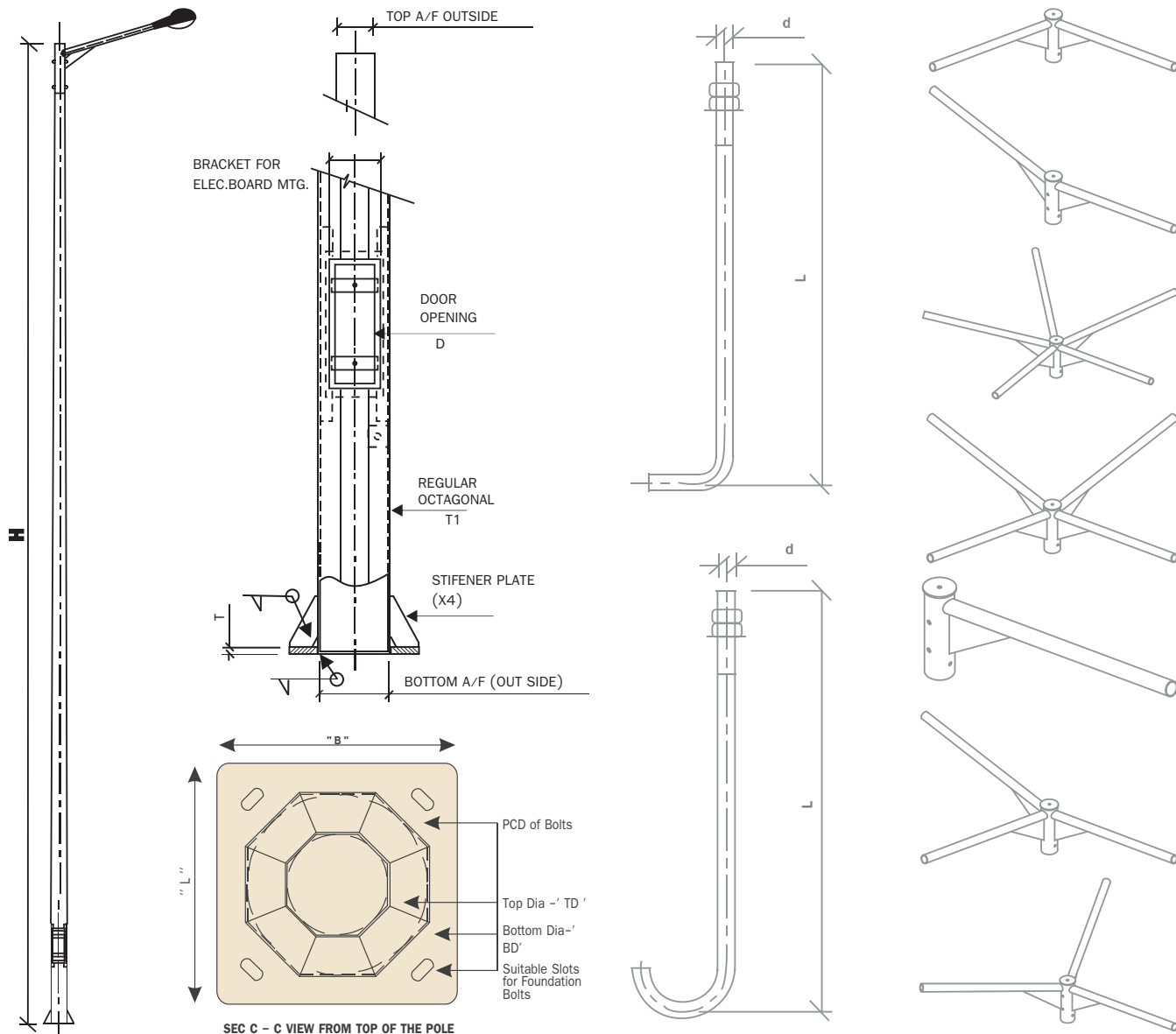


**TECHNICAL SPECIFICATION OF OCTAGONAL POLES**



SEC C - C VIEW FROM TOP OF THE POLE

**DIMENSION OF OCTAGONAL POLE WITH BASE PLATE FOUNDATION TYPE  
FOR MAXIMUM WIND SPEED OF 180 Km/h  
Series Pole (P)**

Pole Height	Total Height - 'H'	Top Dia - "TD"	Base Dia - "BD"	Thickness (T1)	Base Plate {LxBxT}	Foundation Bolt Detail
VL 4.0 P	4000	70	130	03	200X200X12	4X16 ON P.C.D-175
VL 5.0 P	5000	70	130	03	200X200X12	4X16 ON P.C.D-175
VL 6.0 P	6000	70	130	03	220X220X12	4X16 ON P.C.D-175
VL 7.0 P	7000	70	130	03	220X220X12	4X20 ON P.C.D-175
VL 8.0 P	8000	70	135	03	225X225X16	4X20 ON P.C.D-190
VL 9.0 P	9000	70	155	03	260X260X16	4X20 ON P.C.D-210
VL 10.0 P	10000	70	175	03	275X275X16	4X25 ON PCD-225
VL 11.0 P	11000	90	210	03	300X300X20	4X25 ON P.C.D-260
VL 12.0 P	12000	90	240	03	320X320X20	4X27 ON P.C.D-290

**Abbreviation:** H=Total height, T1=Sheet thickness, D=Door Opening, L=Foundation Bolt Length, d=Bolt Diameter

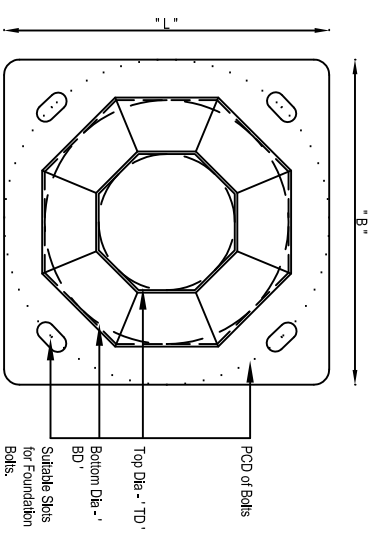
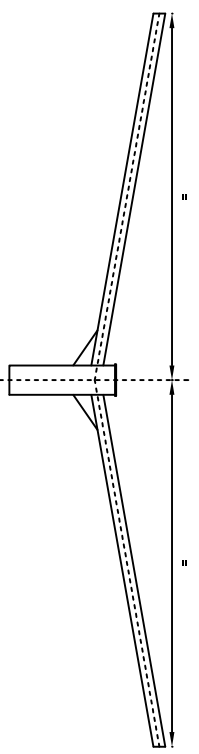
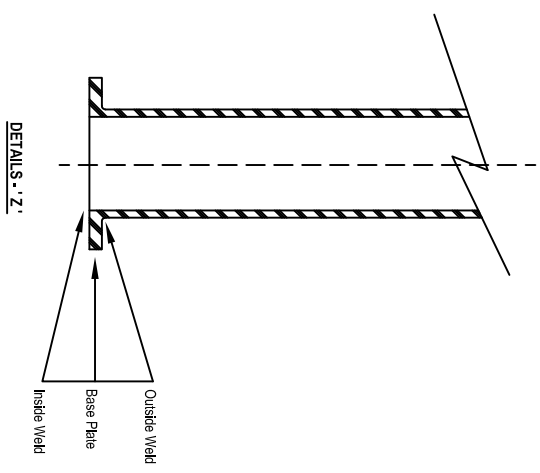
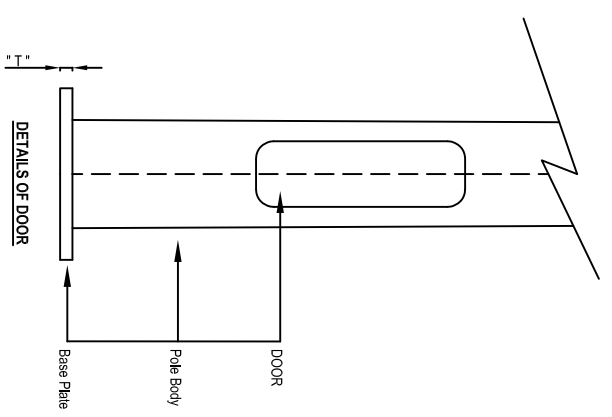
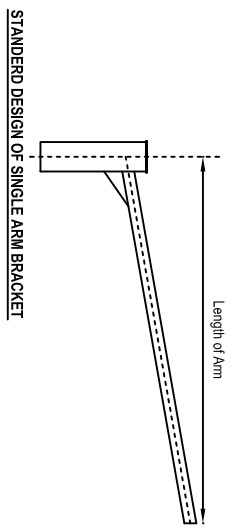
**Sales Office :-** C-33, East of Kailash, New Delhi-110065, Tel.: 011-26842693 Fax : 91-11-26842693

**Photometric Centre:-** 142 A/1, NSEZ, NOIDA

**Works :-** 136, Industrial Area, Malanpur, (Ghirongi) Distt. Bhand, (MP)

Height of Pole - 'H' & Thickness of Pole - 'THK'

Pole Details	Total Height - 'H'	Top Dia - 'TD'	Base Dia - 'BD'	Thickness - 'THK'	Base Plate (L X B X T)	FDN. BLT DETAILS
04 mtrs	4000	70	130	03	200 X 200 X 12	4X16 ON P.C.D-175
05 mtrs	5000	70	130	03	200 X 200 X 12	4X16 ON P.C.D-175
06 mtrs	6000	70	130	03	220 X 220 X 12	4X16 ON P.C.D-175
07 mtrs	7000	70	130	03	220 X 220 X 12	4X20 ON P.C.D-175
08 mtrs	8000	70	135	03	225 X 225 X 16	4X20 ON P.C.D-190
09 mtrs	9000	70	155	03	260 X 260 X 16	4X20 ON P.C.D-210
10 mtrs	10000	70	175	03	275 X 275 X 16	4X25 ON P.C.D-225
11 mtrs	11000	90	210	03	300 X 300 X 20	4X25 ON P.C.D-260
12 mtrs	12000	90	240	03	320 X 320 X 20	4X27 ON P.C.D-290



This drawing is the property of "VENTURA LIGHTING LTD." & must be returned on request. It is submitted as confidential information in connection with enquiry, tenders, orders or contracts. It is not to be used for any other purpose or order nor may it re-copied or lent without our authority in writing.  
Design Subject to change For Continuous Improvement.

Designed by S.S.G	Checked by S.S	Approved by - date L.J.H	Filename VLL-NR-POLE	Date 02-02-2009	Scale N.T.S
Owner VENTURA LIGHTING LIMITED	Title/Name DETAIL FOR OCTAGONAL LIGHTING POLE		Drawing number MECH/NR/PL/01	Edition A	Sheet 1