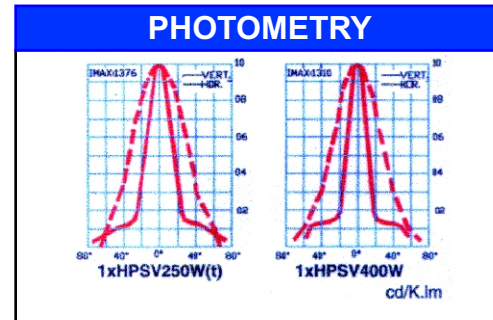
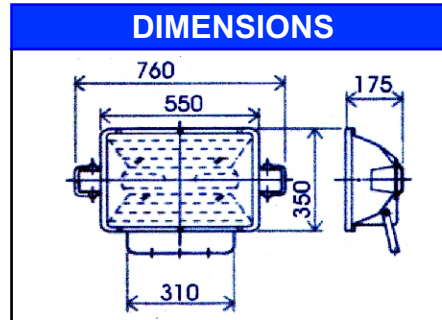


HARLEX®



PRODUCT INFORMATION
FLOODLIGHT : F06 FAMILY



FAMILY FEATURES, BENEFITS AND APPLICATIONS :

Non Integral robust floodlight luminaire for 2xHPSV 250W or 2xHPSV 250 w(t) or 2xHPSV 400 w or 2xHPSV 400 w(t) or 2xHPMH 250 w or 2xHPMH 250 w(t) or 2xHPMH 400 w or 2xHPMH 400 w(t) or 2xHPMV 250 w or 2xHPMV 400 w lamp. This Luminaire is recommended for illuminating large areas where there is a need for a long period or round the clock floodlighting such as dockyards, airport aprons, large construction sites big exhibition areas, railway yards, stockyards, industrial yards, mounted on tall tower. This luminaire is effectively used in decorative floodlighting in large building, structures, monuments and stadia lighting.

CONSTRUCTION, MATERIAL AND FINISH:

BODY : LM6 Cast Aluminium (high silicon low copper content grade) Housing having rear cover with cooling fins. Housing painted / powder coated black on request. Housing is closed from the front by toughened glass mounted on Ethylene gasket and fixed with four numbers loss proof S.S. Screws.

OPTICAL SYSTEM :

High purity aluminium electro chemically brightened and anodized faceted reflector. Super purity faceted / dimpled anodized aluminium reflector available on request (ANOCOIL/ANONOD)

MOUNTING BRACKET :

M.S. Hot dip galvanised / powder coated black with circular graduation scale.

HARDWARE : Screw : Loss proof, Stainless steel

Clamp : Stainless steel

INSTALLATION/MOUNTING :

Stirrup secured by M20 bolt (not supplied) or pole clamp which allows adjustments is azimuth and elevation Cable entry through 19mm inlet and termination on the main connector in the rear portion of the housing. Separate CG Box to be used as per the lamp.

ORDERING & ELECTRICAL DATA

Family Member (Code No.)	For Lamp			Includes							Excludes		Packaging Data		Electrical Data		
	Number	Type	Wattage	Housing #	Reflector	Cover	Mounting Bracket / Place	Ballast	Ignitor	Capacitor	CG Box with Accessories	Ballast #	Approx Nett Weight (Kg)	Quantity / Box (Nos.)	Lamp Holder	Nominal Current (A)	Normal Power Factor
VL AY 2250	2	HPSV	250	✓	✓	✓	✓	X	X	X	✓	✓	8.5	1	E-40	2.43	0.90
VL AY 2250T	2	HPSV(t)	250	✓	✓	✓	✓	X	X	X	✓	✓	8.5	1	E-40	2.43	0.90
VL AY 2400	2	HPSV	400	✓	✓	✓	✓	X	X	X	✓	✓	8.5	1	E-40	3.92	0.90
VL AY 2400 T	2	HPSV(t)	400	✓	✓	✓	✓	X	X	X	✓	✓	8.5	1	E-40	3.92	0.90
VL AY 2250	2	HPMH	250	✓	✓	✓	✓	X	X	X	✓	✓	8.5	1	E-40	2.40	0.90
VL AY 2250T	2	HPMH(t)	250	✓	✓	✓	✓	X	X	X	✓	✓	8.5	1	E-40	2.40	0.90
VL AY 2400	2	HPMH	400	✓	✓	✓	✓	X	X	X	✓	✓	8.5	1	E-40	3.92	0.90
VL AY 2400 T	2	HPMH(t)	400	✓	✓	✓	✓	X	X	X	✓	✓	8.5	1	E-40	3.92	0.90
VL AY 2250	2	HPMV	250	✓	✓	✓	✓	X	X	X	✓	✓	8.5	1	E-40	2.48	0.90
VL AY 2400	2	HPMV	400	✓	✓	✓	✓	X	X	X	✓	✓	8.5	1	E-40	4.10	0.90

Packed separately

Weight for installation purpose only, Dimensional Tolerance ±1.5% All data subject to change without notice

Sales Office :- C-33, East of Kailash, New Delhi-110065, Tel.: 011-26842693 Fax : 91-11-26842693

Photometric Centre:- 142 A/1, NSEZ, NOIDA

Works :- 136, Industrial Area, Malanpur, (Ghirongi) Distt. Bhand, (MP)